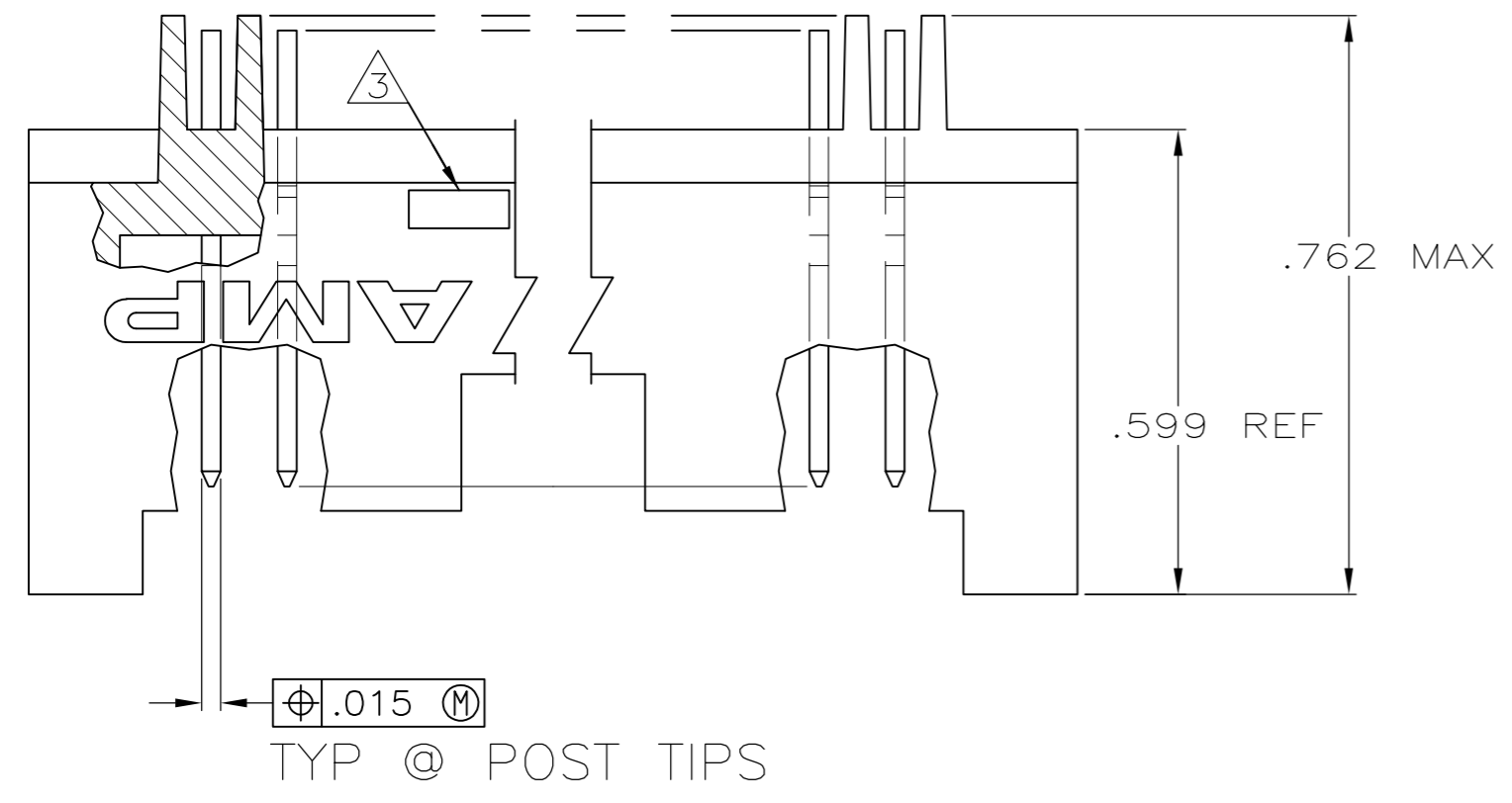
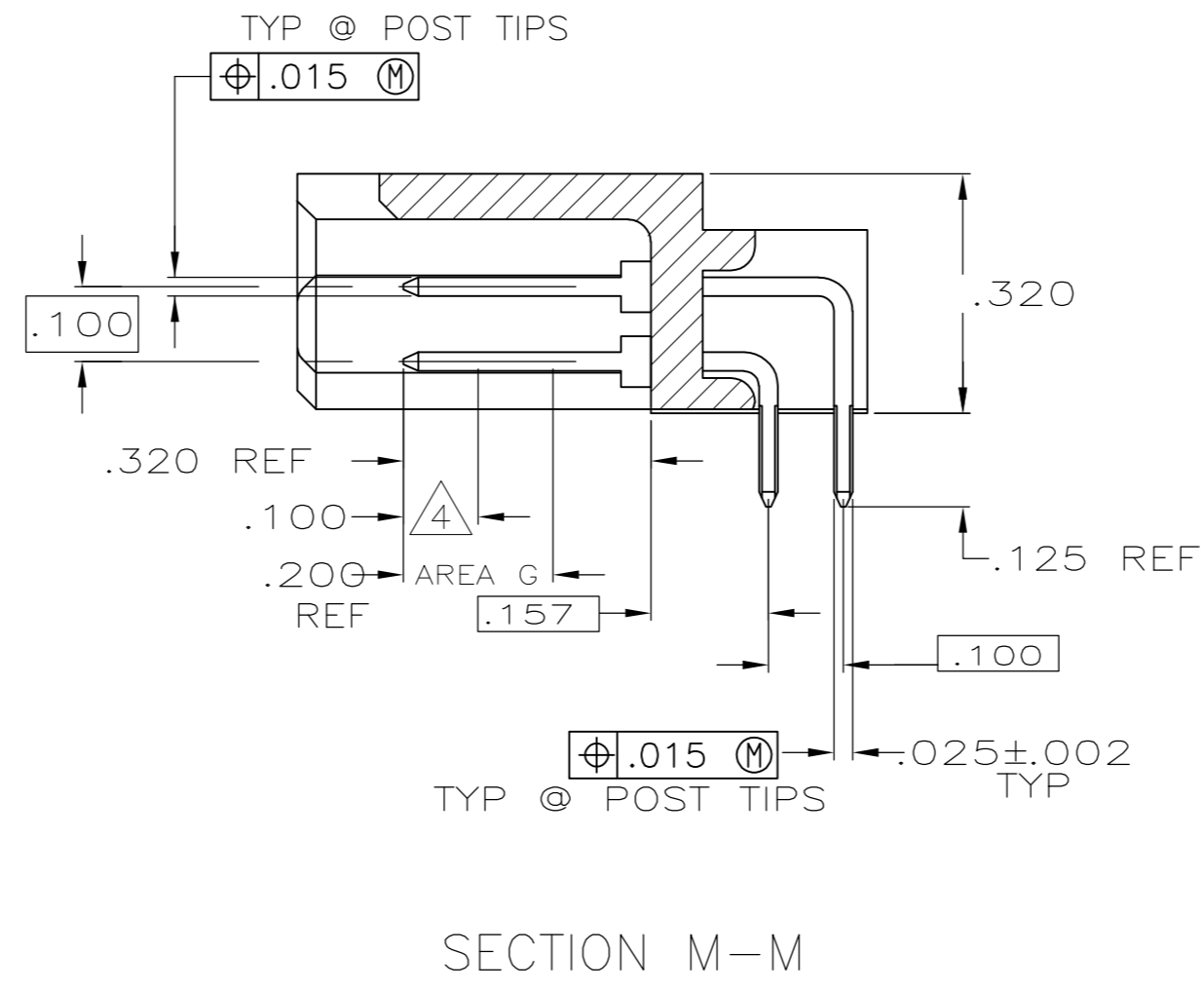
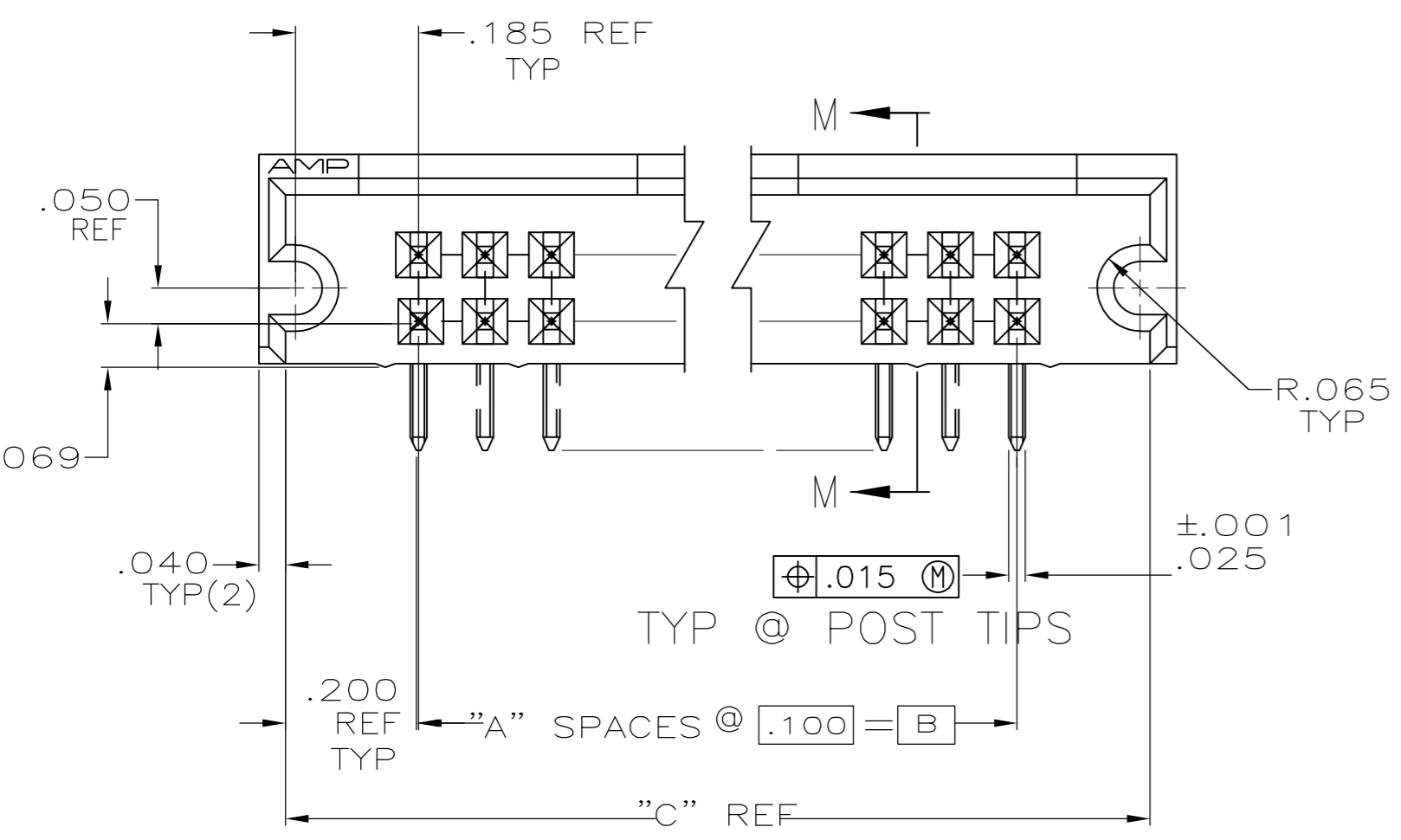


THIS DRAWING IS UNPUBLISHED. RELEASED FOR PUBLICATION  
 © COPYRIGHT BY TYCO ELECTRONICS CORPORATION. ALL RIGHTS RESERVED.

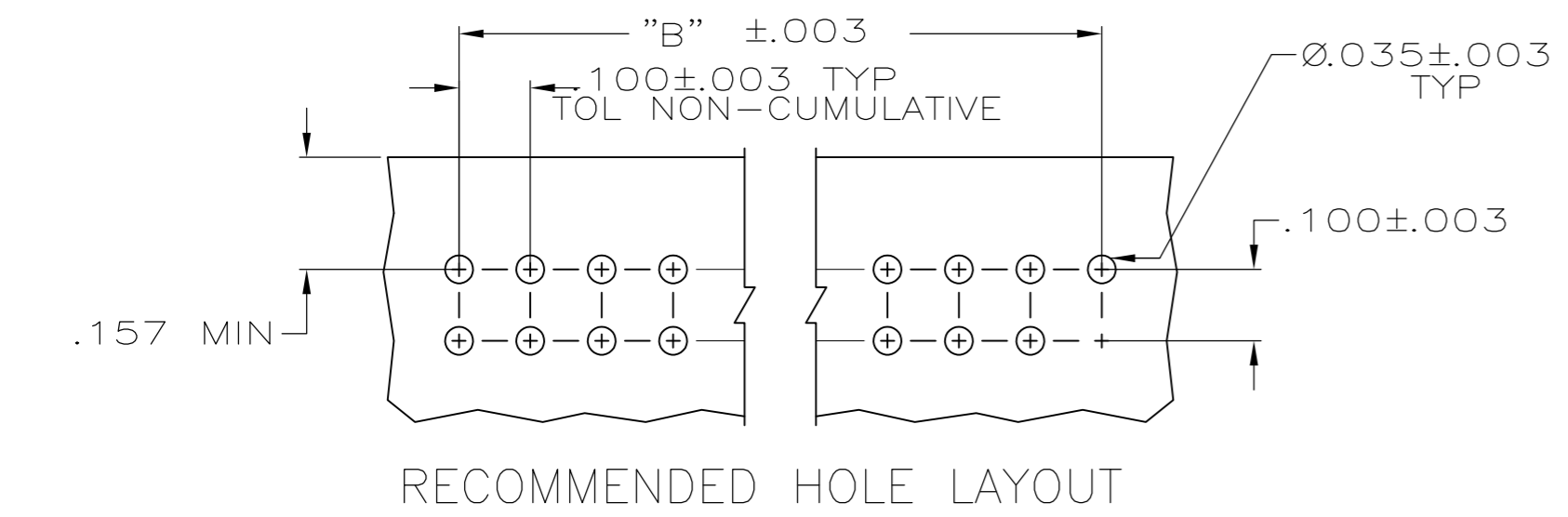
LOC		DIST		REVISIONS			
P	LTR	DESCRIPTION		DATE	DWN	APVD	
	P1	ECO-05-7481		13FEB06	MB	JO	
	P2	REVISED PER ECO-09-021510		12SEP09	KK	AEQ	



- 1 PART NO. OBSOLETE
- 2 .000015 GOLD ON CONTACT AREA G  
.000100-.000200 BRIGHT TIN-LEAD  
ON SOLDER LEADS, ALL OVER  
.000050 NICKEL
- 3 RECESSED DATE CODE AND CSA LOGO
- 4 POINT OF MEASUREMENT FOR  
PLATING THICKNESS
- 5 .000015 GOLD ON CONTACT AREA G  
.000100-.000200 MATTE TIN ON  
SOLDER LEADS, ALL OVER .000050  
NICKEL
- 6 ROHS 2002/95/EC COMPLIANT
- 7 OBSOLETE PARTS: OBSOLETE CIS STREAMLINING  
PER D.RENAUD/D.SINISI



SECTION M-M



RECOMMENDED HOLE LAYOUT

REMARKS	FINISH	"C"	"B"	"A"	NO OF POSN	PART NUMBER
1		.800	.400	4	10	1-102589-2
1		10.300	9.900	99	200	1-102589-1
1		7.300	6.900	69	140	1-102589-0
1		6.800	6.400	64	130	1-102589-9
1		4.600	4.200	42	86	1-102589-8
1		3.900	3.500	35	72	1-102589-7
1		5.800	.700	7	16	1-102589-6
1		5.800	5.400	54	110	1-102589-5
1		4.800	4.400	44	90	1-102589-4
1		2.300	1.900	19	40	1-102589-3
1		1.300	.900	9	20	1-102589-2
1		6.300	5.900	59	120	1-102589-1
1		3.800	3.400	34	70	1-102589-0
1		5.100	4.700	47	96	1-102589-9
1		.900	.500	5	12	1-102589-8
1		3.300	2.900	29	60	1-102589-7
1		1.500	1.100	11	24	1-102589-6
1		2.800	2.400	24	50	1-102589-5
1		1.800	1.400	14	30	1-102589-4
1		5.300	4.900	49	100	1-102589-3
1		2.100	1.700	17	36	1-102589-2
1		4.300	3.900	39	80	1-102589-1
1		.800	.400	4	10	2-102589-2
1		10.300	9.900	99	200	2-102589-1
1		7.300	6.900	69	140	2-102589-0
1		6.800	6.400	64	130	2-102589-9
1		4.600	4.200	42	86	2-102589-8
1		3.900	3.500	35	72	2-102589-7
1		1.100	.700	7	16	2-102589-6
1		5.800	5.400	54	110	2-102589-5
1		4.800	4.400	44	90	2-102589-4
1		2.300	1.900	19	40	2-102589-3
1		1.300	.900	9	20	2-102589-2
1		6.300	5.900	59	120	2-102589-1
1		3.800	3.400	34	70	2-102589-0
1		5.100	4.700	47	96	2-102589-9
1		.900	.500	5	12	2-102589-8
1		3.300	2.900	29	60	2-102589-7
1		1.500	1.100	11	24	2-102589-6
1		2.800	2.400	24	50	2-102589-5
1		1.800	1.400	14	30	2-102589-4
1		5.300	4.900	49	100	2-102589-3
1		2.100	1.700	17	36	2-102589-2
1		4.300	3.900	39	80	2-102589-1

THIS DRAWING IS A CONTROLLED DOCUMENT. DWN J KNAUB 12-2-93  
 CHK H PALEY 12-20-93  
 APVD -  
 PRODUCT SPEC -  
 APPLICATION SPEC -  
 WEIGHT -  
 HSG: FLAME RETARDANT POLYESTER POST: PHOS BRONZE  
 TOLERANCES UNLESS OTHERWISE SPECIFIED:  
 0 PLC ± -  
 1 PLC ± -  
 2 PLC ± -  
 3 PLC ± .005  
 4 PLC ± -  
 ANGLES ± -  
 FINISH POSTS: SEE TABLE  
 Tyco Electronics Corporation Harrisburg, PA 17105-3608  
 NAME ASSY, HEADER, MOD II, .025 SQ POSTS .100 X.100CL  
 SIZE A2 CAGE CODE 00779 DRAWING NO C=102589 RESTRICTED TO -  
 CUSTOMER DRAWING SCALE 4:1 SHEET 1 of 1 REV P2